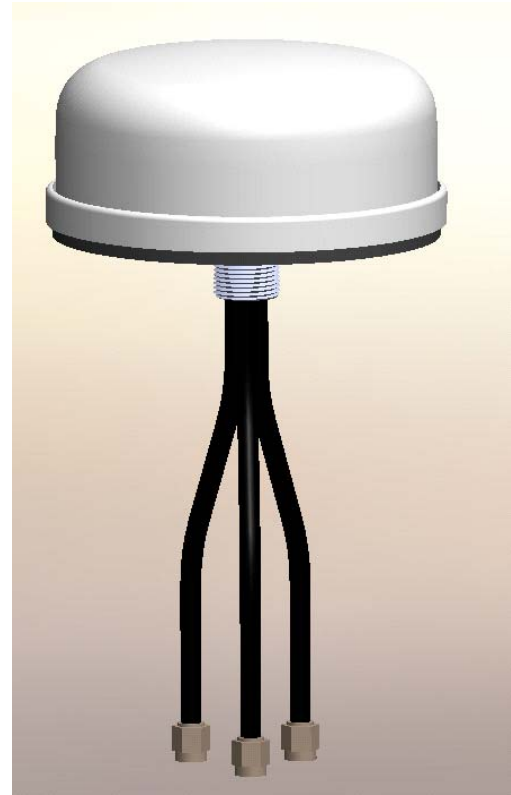
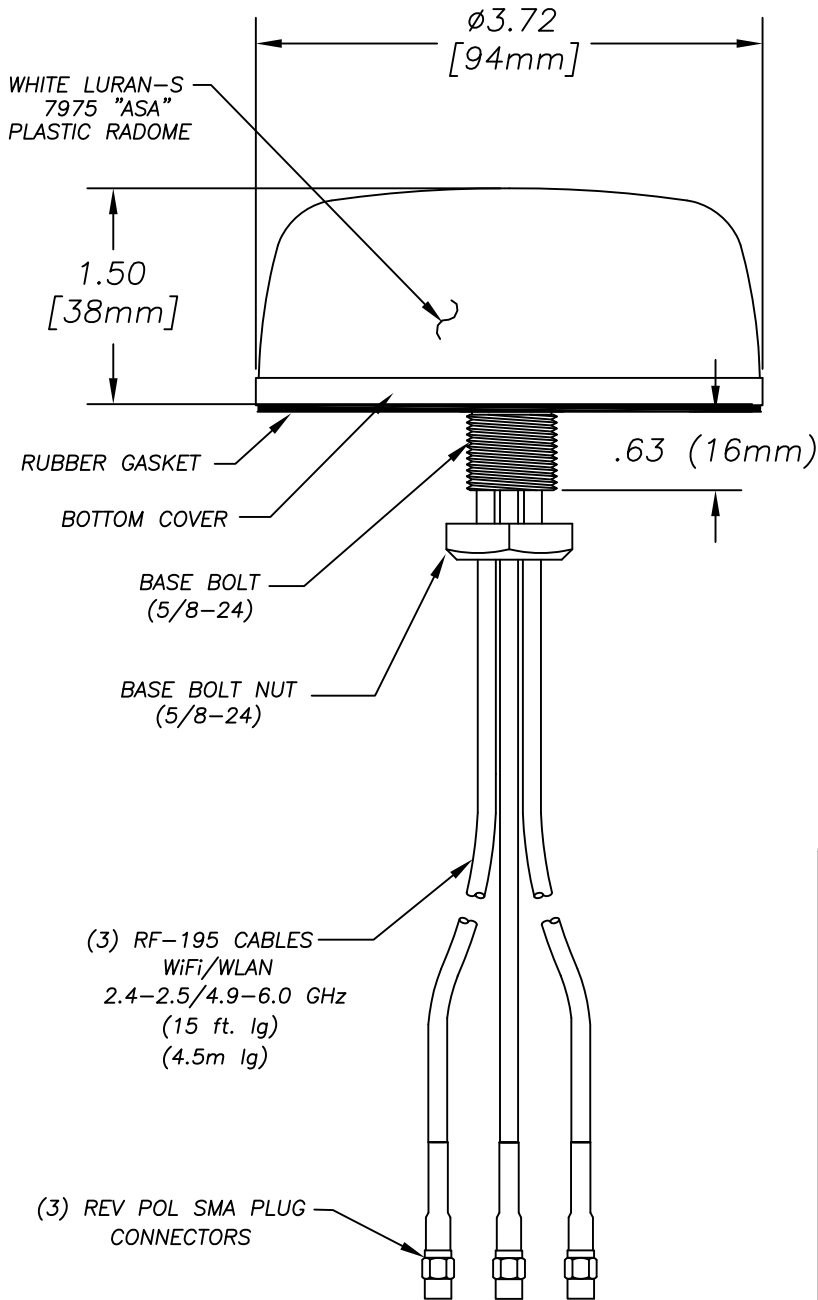


SMD-W-3J3J3J-HV-WHT-180

MIMO Low Profile High Vibration Surface Mt. Three Feed Antenna 2.4-2.5 & 4.9-6.0 GHz



Antenna Specifications

Electrical Properties:

Frequency:	2.4-2.5 GHz
	4.9-6.0 GHz
Polarization:	Vertical
Impedance:	50 Ohm nominal
Maximum Power:	20 Watts
Gain:	4 dBi
VSWR:	Less than 2:1
Isolation between elements:	>20 dB
Cables:	(3) RF-195, 15 ft
Connectors:	(3) Rev Pol SMA Plug
Surface Mounting:	up to 1/4" thk metal
Mounting Stud Length:	5/8" lg.
Hardware:	Nut and Gasket

Mechanical Properties:

Base Diameter:	3.72" (94mm)
Height:	1.50" (38mm)
Weight:	1.0 lbs (.45 kg)
Radome Material:	White "ASA"

Environmental Properties:

Operating Temperature:	-40C to +80C
Water Ingress Rating:	IP X 7
Shock and Vibration:	EN61373:1999
	IEEE1478-2001
	MIL-STD-810G

Metric Dimensions in Brackets [mm]



MobileMark

antenna solutions

US OFFICE & HEADQUARTERS: 1140 W. THORNDALE AVE. ITASCA, IL 60143
TEL: (847) 671-6690 * FAX (847) 250-5120

UK OFFICE: 8 MIRAS BUS PARK, KEYS PARK ROAD. HEDNESFORD WS12 2FS, UK.
UK TEL: (+44) 1543-459555 FAX (+44) 1543-459545

VISIT OUR WEBSITE AT WWW.MOBILEMARK.COM

JP 5/17/16 A