
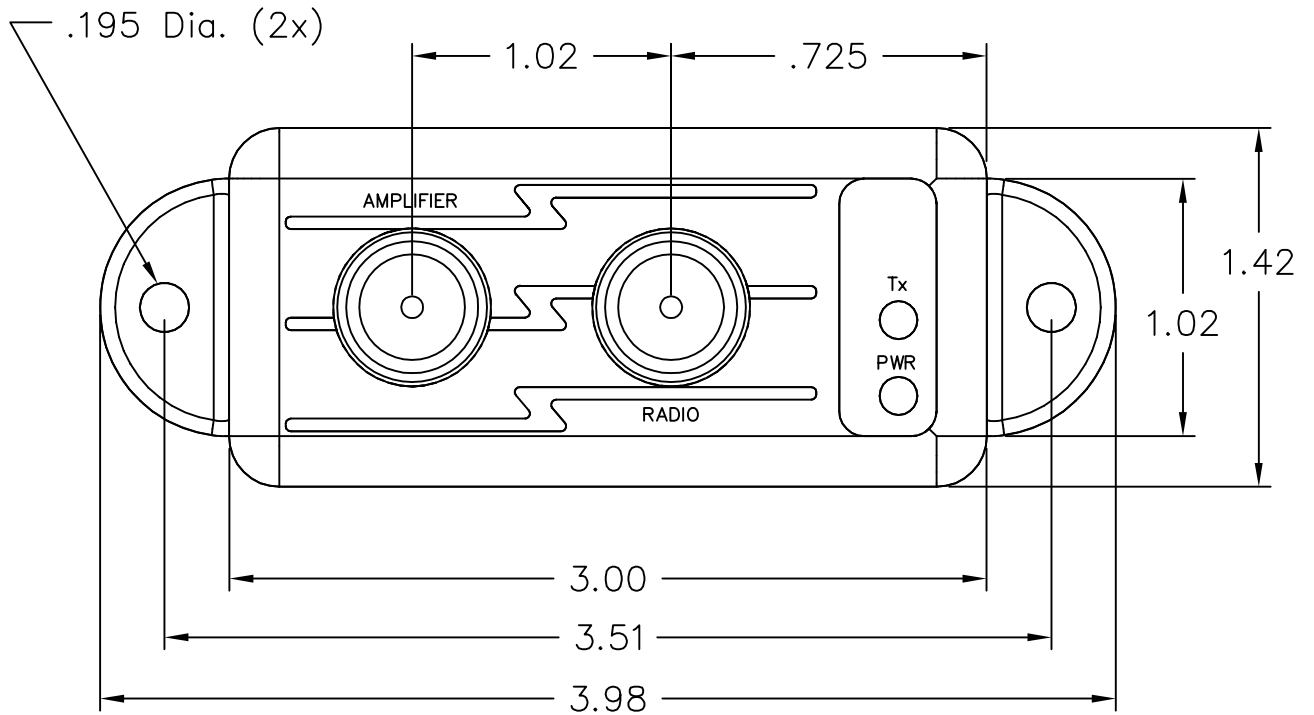
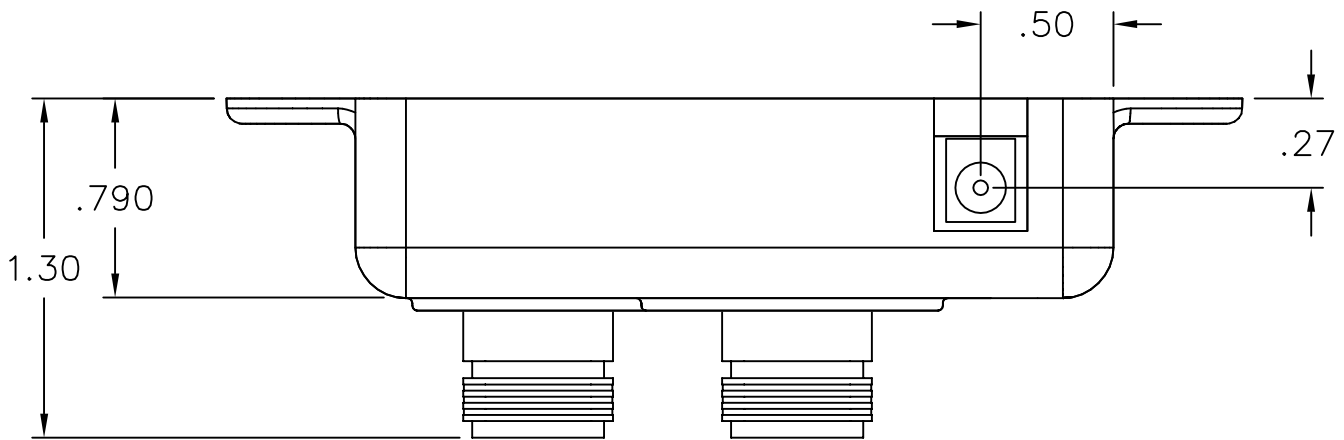



ALL DIMENSIONS IN INCHES

				SIZE	TITLE:				
				A	Detail - Outdoor Amplifier - XL				
B		11/30/07	Added 2.250 Dim						
REV	ECN No.	DATE	DESCRIPTION		DRAWN BY	K.Burgner	08/16/05	DRAWING No.	REV
				ORIGINATOR	K.Burgner	08/16/05	F707	B	
				APPROVAL	K.Burgner	08/16/05	PART No.		
				SCALE NTS	SHEET 1/1		MATERIAL	FILE No. F707-01	
<small>Website: www.L-com.com Tel: 1-800-343-1455 Copyright © 2009 L-com, Inc. All rights reserved.</small>									



ALL DIMENSIONS IN INCHES

				SIZE	TITLE:				
				A	Detail - Composite DC Power Injector				
REV	ECN No.	DATE	DESCRIPTION	DRAWN BY	K.Burgner	6/04/05	DRAWING No.	REV	
				ORIGINATOR	K.Burgner	6/04/05	F683	A	
 Website: www.L-com.com Tel: 1-800-343-1455 Copyright © 2009 L-com, Inc. All rights reserved.				APPROVAL	K.Burgner	6/04/05	PART No.	---	
				SCALE NTS	SHEET 1/1	MATERIAL	---	FILE No.	F683-01