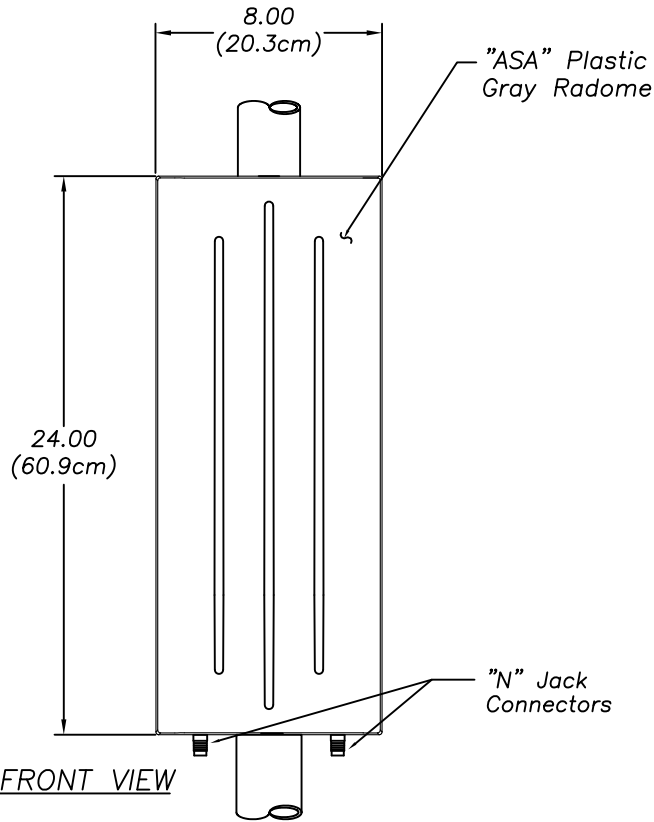
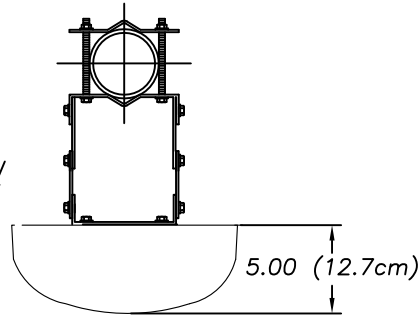


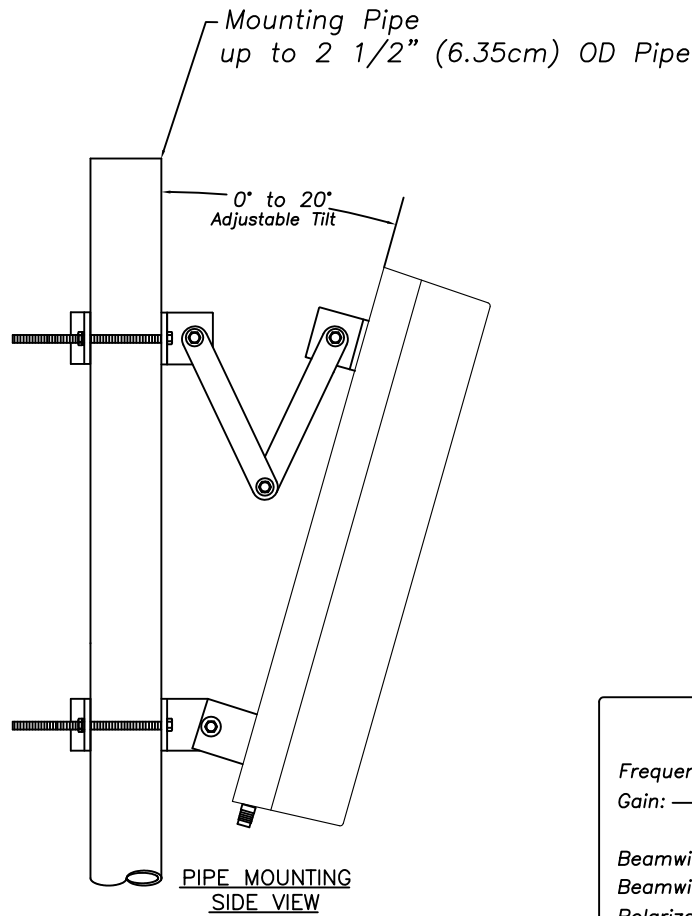
PND-700/2100N

**LTE Directional Antenna Dual Slant 45°,
8 & 12 dBi, 694-960 MHz / 1710-2170 MHz
with Adjustable Mount, Low PIM**

TOP VIEW



FRONT VIEW



SIDE VIEW



Antenna Specifications:

Frequency:	694-960/1710-2170 MHz
Gain:	8 dBi (694-960 MHz) 12 dBi (1710-2170 MHz)
Beamwidth 695-960 MHz:	60° Elevation, 60° Azimuth
Beamwidth 1710-2170 MHz:	30° Elevation, 30° Azimuth
Polarization:	+/- 45°
VSWR:	2:1
Radome Material:	White Vacuum Formed Plastic
Nominal Impedance:	50 OHM Nominal
Maximum Power:	100 Watts
Connectors:	"N" Panel Jack
PIM:	-155dB or better
Mounting Kit	Mounts up to 2 1/2"(6.35cm) OD Pipe
Lightening Protection:	DC Grounded ext. recommended
Operating Temperature:	-40°C to +85°C

MobileMark
antenna solutions

US OFFICE & HEADQUARTERS: 1140 W THORNDALE AVE. ITASCA, IL 60143
TEL: (847) 671-6690 * FAX (847) 250-5120

UK OFFICE: 8 MIRAS BUS PARK, KEYS PARK ROAD. HEDNESFORD WS12 2FS, UK.
UK TEL: (+44) 1543-459555 FAX (+44) 1543-459545

VISIT OUR WEBSITE AT WWW.MOBILEMARK.COM

