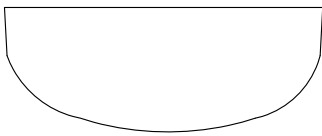
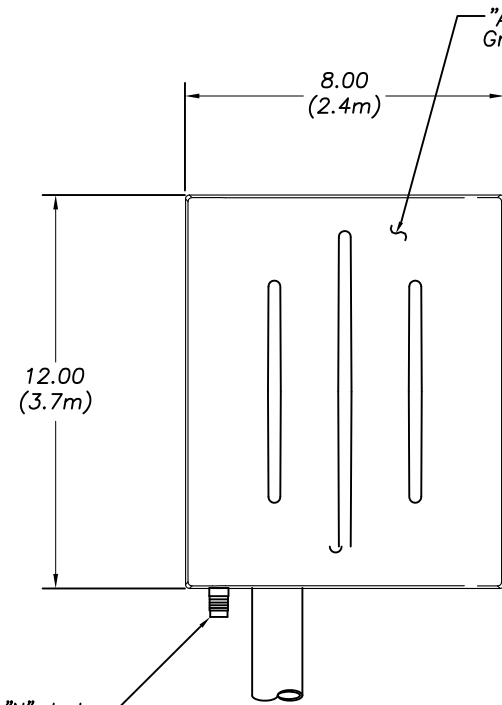


# PN8-700/2100N

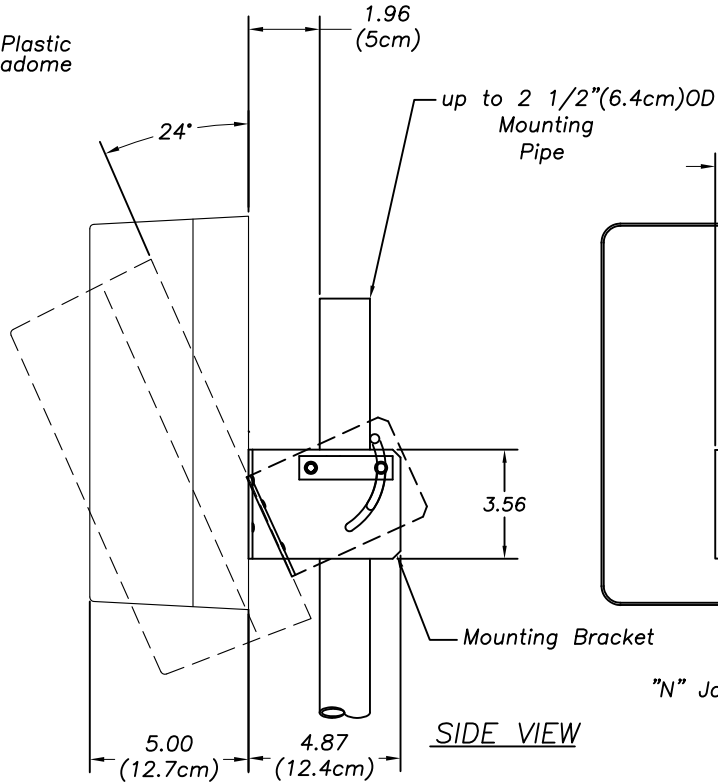
**LTE Directional Antenna**  
**8 dBi, 694-960 MHz & 1710-2170 MHz**  
**Low PIM**



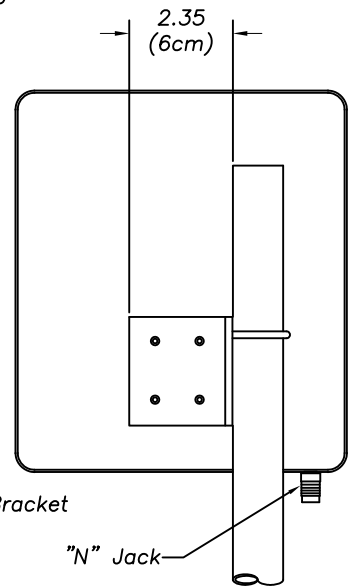
TOP VIEW



FRONT VIEW



SIDE VIEW



BACK VIEW

## Antenna Specifications:

Frequency:	694-960/1710-2170 MHz
Gain:	8 dBi
Beamwidth 695-960 MHz:	60° Elevation, 90° Azimuth
Beamwidth 1710-2170 MHz:	30° Elevation, 90° Azimuth
VSWR:	2:1
Radome Material:	Gray Vacuum Formed Plastic
Nominal Impedance:	50 OHM Nominal
Maximum Power:	100 Watts
PIM:	-155 dB or better
Connector:	"N" Panel Jack
Mounting:	Standard Swivel Tilt Mounting
Lightening Protection:	DC Grounded ext. recommended
Operating Temperature:	-40°C to +85°C

RP 11/11/15 A

**MobileMark**  
 antenna solutions

US OFFICE & HEADQUARTERS: 1140 W THORNDALE AVE. ITASCA, IL 60143  
 TEL: (847) 671-6690 \* FAX (847) 250-5120  
 UK OFFICE: 8 MIRAS BUS PARK, KEYS PARK ROAD. HEDNESFORD WS12 2FS, UK.  
 UK TEL: (+44) 1543-459555 FAX (+44) 1543-459545  
 VISIT OUR WEBSITE AT WWW.MOBILEMARK.COM