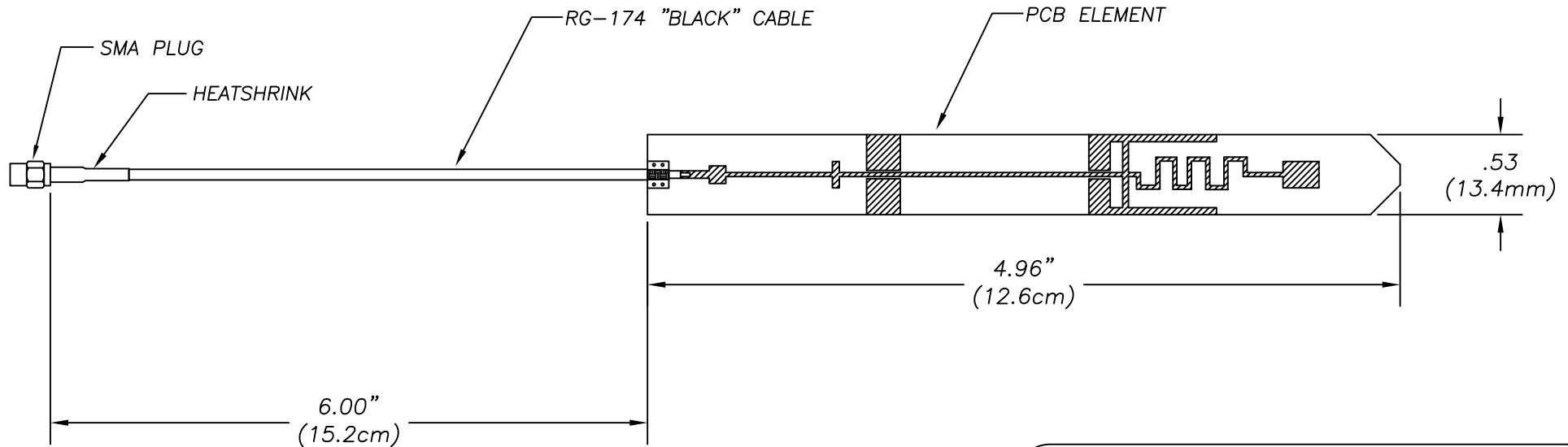


EM-700/2700-2C-6

Embedded Antenna 694-960 MHz & 1710-2750 MHz



Antenna Specifications

Frequency Range:	694-960 MHz 1710-2750 MHz
Impedance:	50 Ohm nominal
VSWR:	2.5:1 Max
Gain:	0 dBi peak (694-960 MHz) 2.5 dBi peak (1710-2750 MHz)
Polarization:	Vertical
Max. Power:	10 Watts
Connector:	SMA Plug
Operating Temp:	-40C to +80C
Storage Temp:	-40C to +80C

JP	1/13/17	A
----	---------	---

MobileMark
antenna solutions

US OFFICE & HEADQUARTERS: 1140 W THORNDALE AVE. ITASCA, IL 60143
TEL: (847) 671-6690 * FAX (847) 250-5120

UK OFFICE: 8 MIRAS BUS PARK, KEYS PARK ROAD. HEDNESFORD WS12 2FS, UK.
UK TEL: (+44) 1543-459555 FAX (+44) 1543-459545

VISIT OUR WEBSITE AT WWW.MOBILEMARK.COM



Metric Dimensions in Brackets [mm]

Specifications subject to change without notice