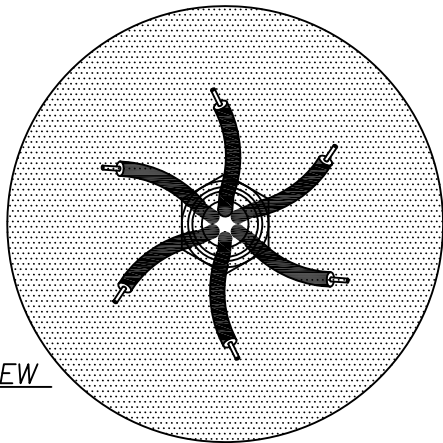
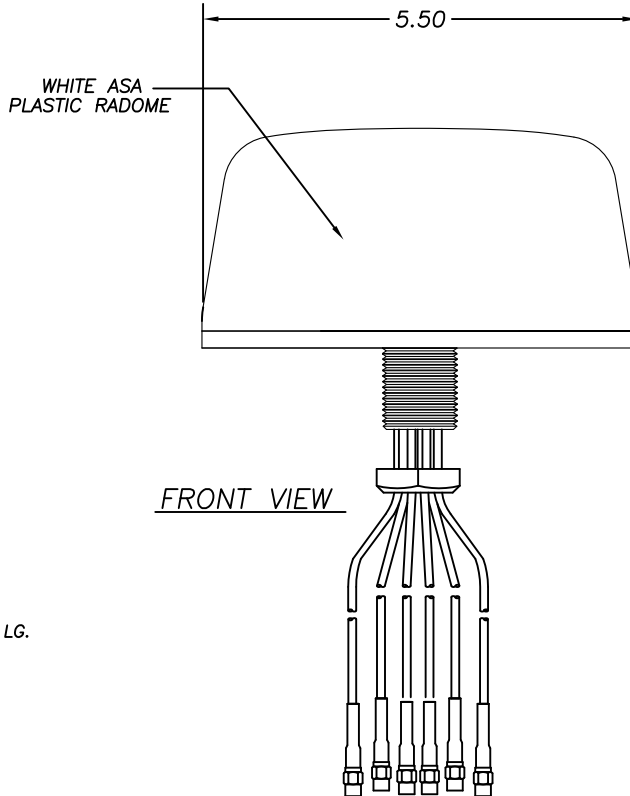
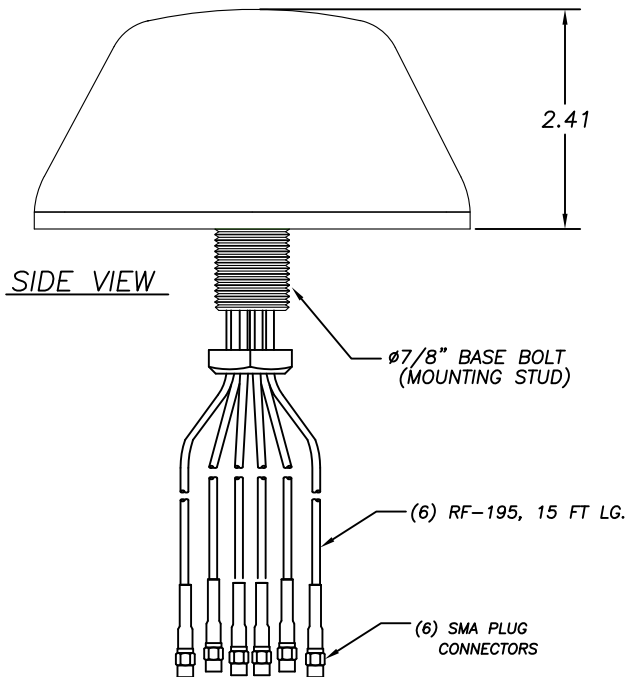


# LTM603-3C3C3C3C3C-WHT-180

**6X MIMO WIFI Surface Mt.  
2400-2500 & 4900-6000 MHz**



BOTTOM VIEW

## Antenna Specifications

Frequency:	2.4–2.5 GHz
	4.9–6.0 GHz
Polarization:	Vertical
Impedance:	50 Ohm nominal
Maximum Power:	20 Watts
Gain:	4 dBi
VSWR:	Less than 2:1
Isolation between elements	>20 dB
Cables:	(6) RF-195, 15 FT LG.
Connectors:	(6) SMA Plug
Surface Mounting:	up to 1/4" thk metal
Hardware:	Nut and Gasket
Water Ingress:	IPX7 (when properly mounted)
Case:	5.50" Dia. x 2.41" High
Radome Material:	ASA UV Inhibitive Plastic
Shock & Vibration:	IEEE1478, EN61373, MIL-810G, TIA 329.2-C
Operating Temperature:	-40° to +80° C

\*\* Gain measured with 1 ft. cables on 12" Ground Plane

4/7/15

**MobileMark**  
antenna solutions

S OFFICE & HEADQUARTERS: 1140 W THORNDALE AVE, ITASCA, IL 60143  
EL: (847) 671-6690 \* FAX (847) 250-6120  
K OFFICE: 8 MIRAS BUS PARK, KEYS PARK ROAD, HEDNESFORD WS12 2FS, UK.  
K TEL: (+44) 1543-459555 FAX (+44) 1543-459545  
ISIT OUR WEBSITE AT WWW.MOBILEMARK.COM

